

零件目录表

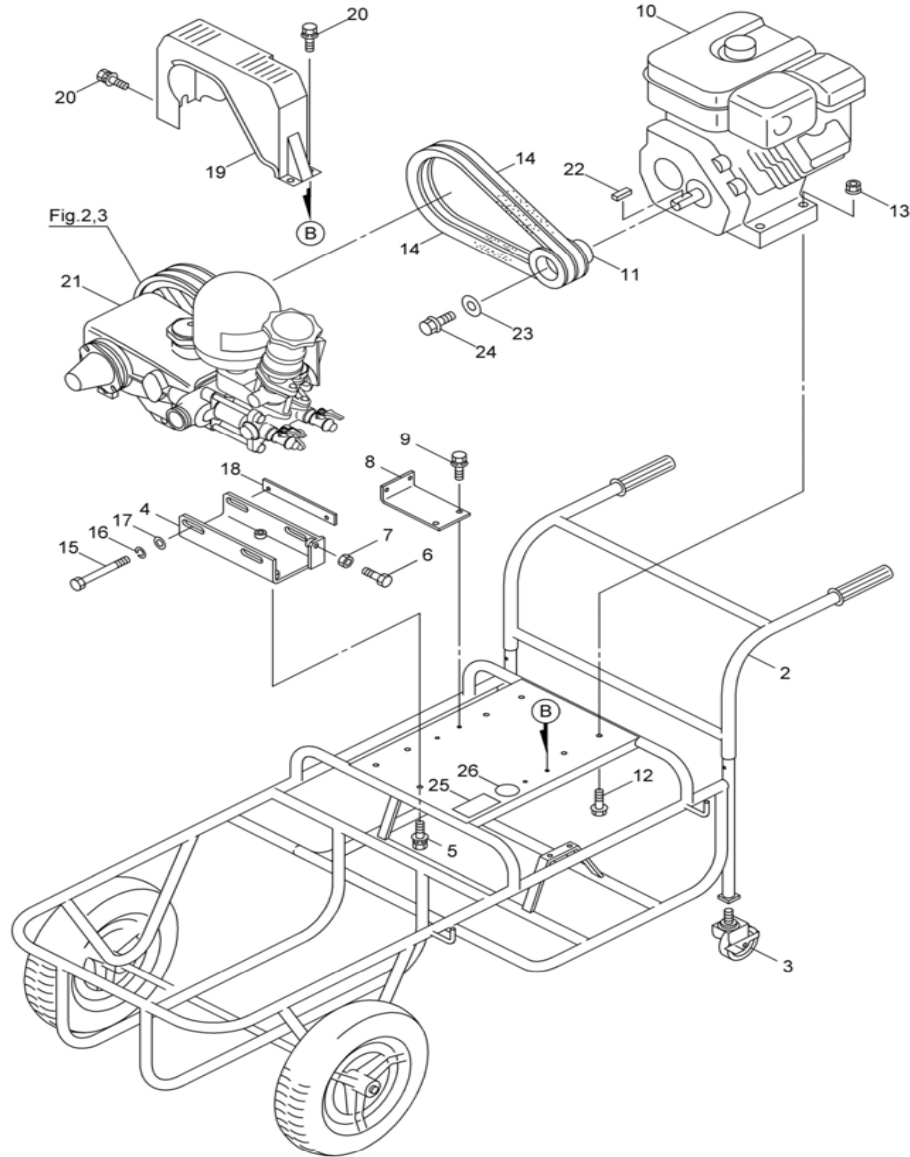
CSH100 (MS313)

台车式动喷组套



 株式会社 **丸山製作所**

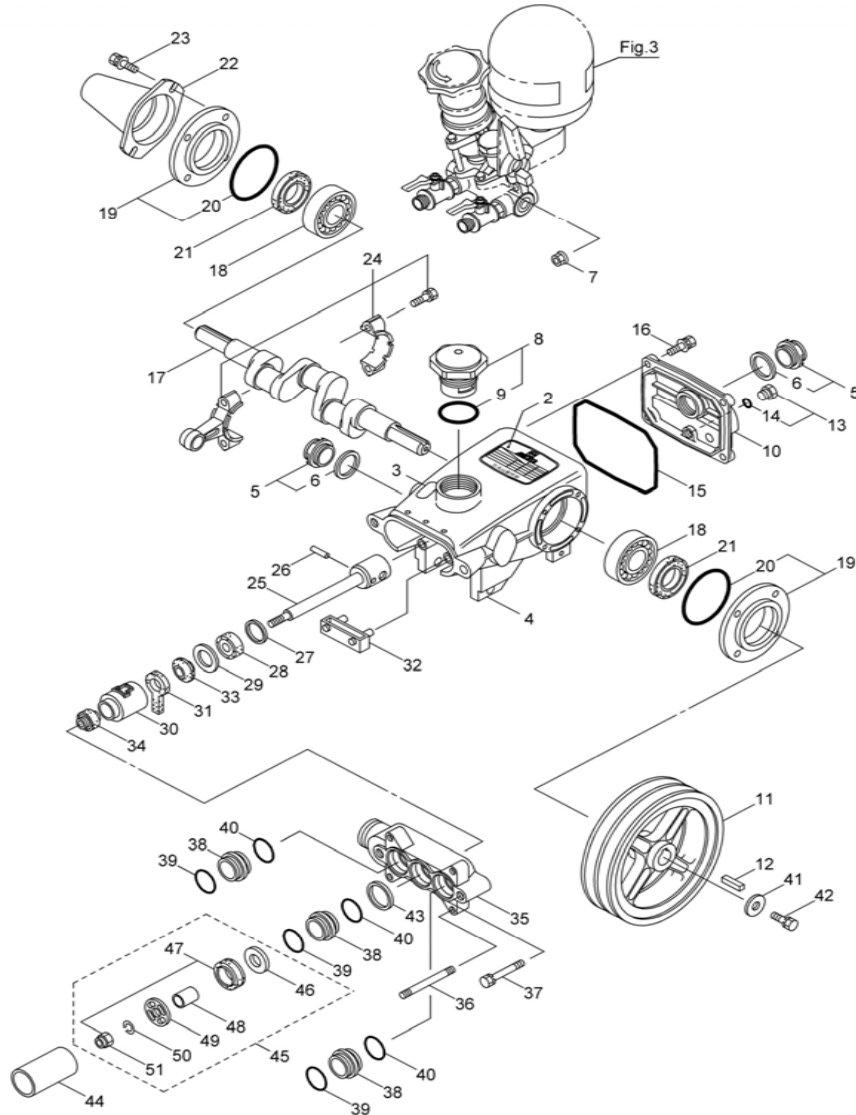
1. CSH100
机身



Ref.No.	Parts No.	Parts Name	Parts Name (Chinese)	Q'ty	Remarks
1-1	318134	CSH100		1	
1-2	830166	Frame	车架	1	
1-3	545446	Caster	小脚轮	2	125-M16-ST
1-4	545640	Rail	支架	1	200X96X50XT3
1-5	096036	Bolt	螺栓	3	M8X25(SM)
1-6	549754	Bolt	螺栓	1	M8X60
1-7	126521	Nut	螺母	1	M8
1-8	545639	Stay	支板	1	140X66X34XT3
1-9	125824	Bolt	螺栓	2	M6X16(SMK)
1-10	830169	Engine	引擎	1	CHINA
1-11	540378	V-pulley	V型皮带轮	1	68-AX2 18X5
1-12	549533	Bolt	螺栓	4	M8X40(M)
1-13	101804	Nut	螺母	4	M8
1-14	101631	V-belt	V型皮带	2	
1-15	126200	Bolt	螺栓	2	M8X115X30
1-16	126232	Spring Washer	弹簧垫片	2	M8
1-17	014065	Washer	垫片	2	M8
1-18	549784	Plate Nut	带铆接凸缘螺母	1	M8
1-19	111218	Belt Cover	皮带外罩	1	
1-20	817004	Bolt	螺栓	4	M6X12(SM)
1-21	816700	MS313-A(EA)	MS313-A (EA) 型单体动喷	1	
1-22	947588	Key	键	1	
1-23	976980	Washer	垫圈	1	
1-24	973717	Bolt & Washer	螺栓 (附垫圈)	1	B080A08X016
1-25	830719	Label	标签	1	
1-26	124951	Label	标签	1	

2. CSH100

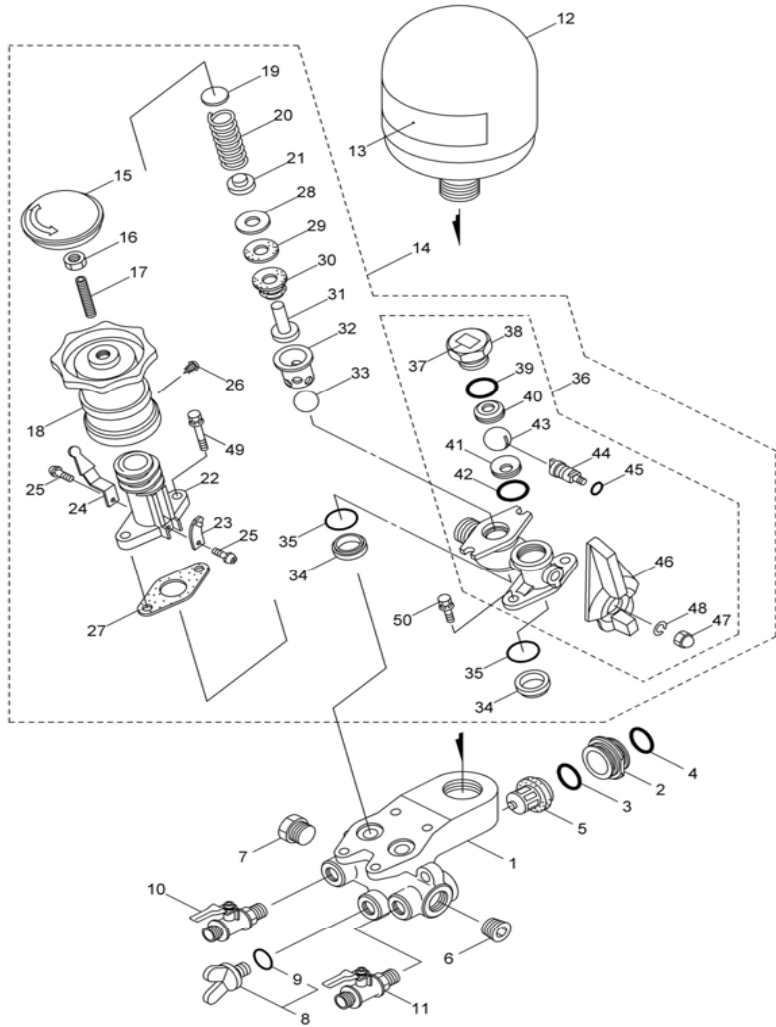
单体动喷（曲轴箱，吸水阀）



522593-02

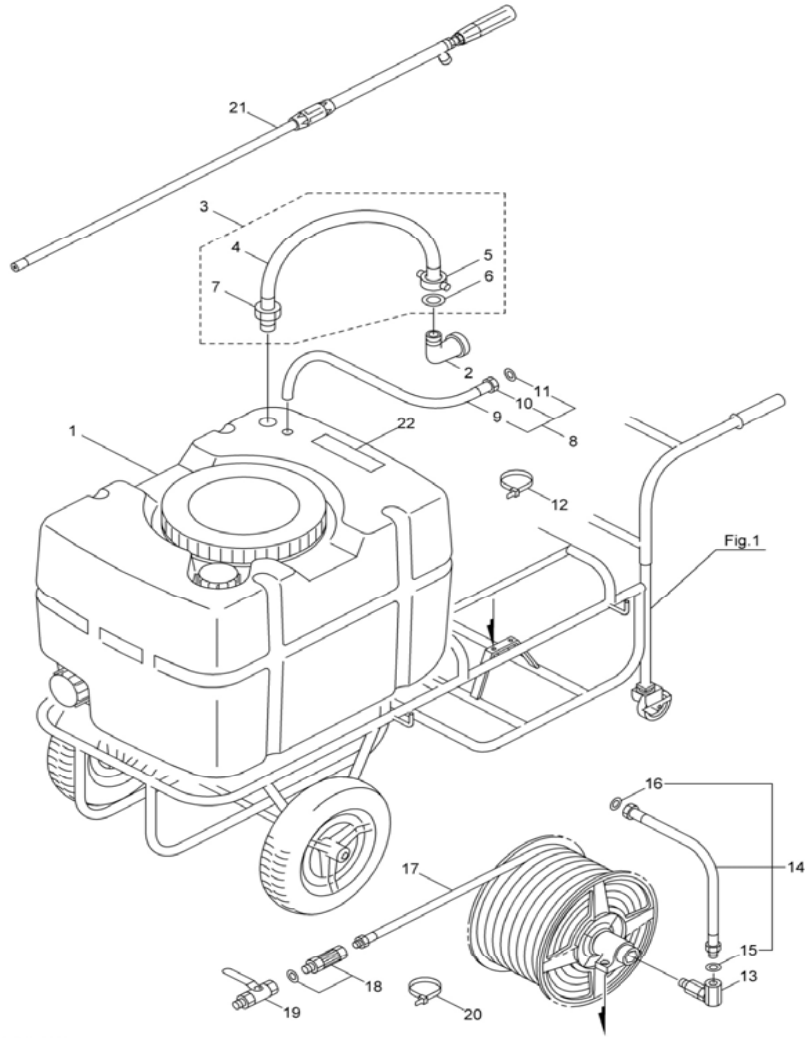
Ref.No.	Parts No.	Parts Name	Parts Name (Chinese)	Q'ty	Remarks
2-1	816700	MS313-A(EA)	MS313-A(EA)单体动喷	1	
2-2	128684	Name Plate	铭牌	1	MS313-A
2-3	102167	Label	标签	1	
2-4	126818	Crankcase	曲轴箱	1	
2-5	092241	Oil Gauge Ass'y	油位计组件	2	
2-6	044428	Packing	密封圈	2	Incl.6 25X34XT2
2-7	126201	Flange Nut	凸缘螺母	4	M8
2-8	091264	Oil Filter Cap	机油注入口盖	1	Incl.9 W35.85
2-9	014177	O-Ring	O型圈	1	P35
2-10	122063	Rear Cover Crankcase	曲轴箱后盖	1	
2-11	108677	V-pulley	V型皮带轮	1	178-AX2
2-12	014543	Key	键	1	5X5X25
2-13	091376	Plug Ass'y	赛头组件（螺杆）	1	Incl.14 G1/4
2-14	023170	O-Ring	O型圈	1	P12.5
2-15	048773	O-Ring	O型圈	1	119X96X2.0
2-16	125824	Bolt	螺栓	4	M6X16(SMK)
2-17	103921	Crankshaft	曲轴	1	
2-18	014487	Bearing	轴承	2	#6304
2-19	595607	Oil Seal Case Ass'y	油封外壳组件	2	Incl.20
2-20	026536	O-Ring	O型圈	2	51.8X1.5
2-21	024159	Oil Seal	油封	2	TC20X40X10
2-22	025130	Shaft Protector	轴保护外罩	1	
2-23	125824	Bolt	螺栓	8	M6X16(SMK)
2-24	048734	Connecting Rod Ass'y	连杆组件	3	
2-25	120827	Piston Rod Ass'y	活塞杆组件	3	
2-26	016948	Piston Pin	活塞销	3	9X22
2-27	126259	Washer	垫片	3	17X24XT1.2
2-28	025461	Oil Seal	油封	3	S10.5247
2-29	126189	Washer	垫片	3	20X28XT1.2
2-30	027710	Seal Retainer	密封护圈	3	
2-31	027711	Packing	密封圈	3	10X24X5
2-32	027712	Oil Pan	油底盒	1	
2-33	026853	Packing	密封圈	3	
2-34	100015	Seal Packing	密封件	3	
2-35	105507	Inlet Manifold	入口集合管	1	
2-36	120829	Stud Bolt	双端螺杆	4	M8X110X11X18
2-37	126190	Bolt	螺栓	3	M8X45
2-38	022931	Adapter	接合	3	
2-39	015862	O-Ring	O型圈	3	P21
2-40	023172	O-Ring	O型圈	3	P22
2-41	126198	Washer	垫片	1	8.5X30XT3.2
2-42	126258	Bolt	螺栓	1	M8X20
2-43	105508	Packing, Adapter	结合处密封	1	26X28.5XT0.5
2-44	108065	Cylinder Pipe	汽缸圆筒	3	25X28.5X55
2-45	632583	Inlet Valve Ass'y	吸水阀组件	3	Incl.46-51
2-46	014122	Inlet Valve	吸水阀	3	6.1X20XT2.8
2-47	632586	Piston Packing Set	活塞密封圈组件	3	Incl.51
2-48	027499	Spacer	撑杆	3	6X8.5X11
2-49	119917	Piston Retainer	活塞	3	
2-50	015849	Spring Washer	弹簧垫片	3	M6
2-51	046365	Nut	螺母	3	M6

3. CSH100
单体动喷（压力调节阀）



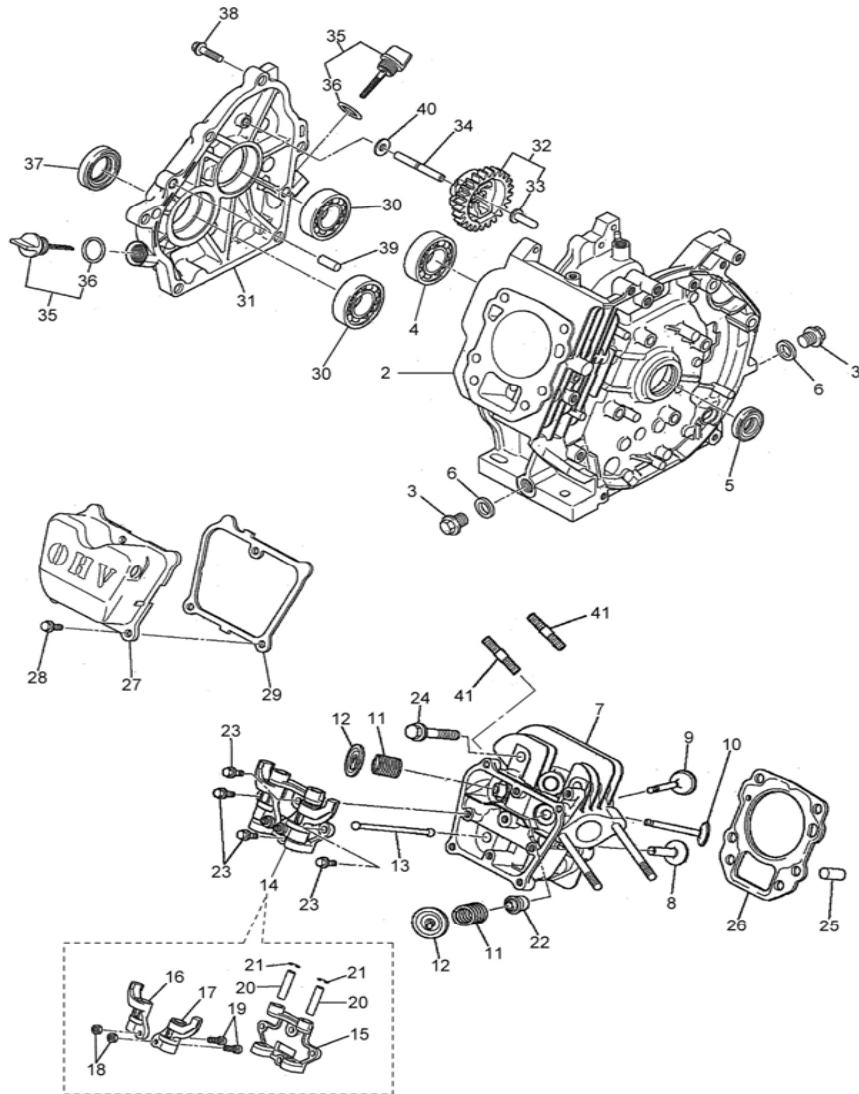
Ref.No.	Parts No.	Parts Name	Parts Name (Chinese)	Q'ty	Remarks
3-1	120831	Cylinder Manifold	集流腔	1	
3-2	105509	Pipe Receiver	管子衔接头	3	
3-3	023172	O-Ring	O型圈	3	P22
3-4	015862	O-Ring	O型圈	3	P21
3-5	120276	Valve Ass'y	阀门瓣膜	3	
3-6	120833	Plug	赛头（内六角螺母）	1	R1/2
3-7	108368	Plug	赛头（螺杆）	1	R1/2
3-8	632739	Plug Set	赛头组件（Y字螺杆）	1	Incl.9 G1/4
3-9	023170	O-Ring	O型圈	1	P12.5
3-10	120834	Ball Cock	球阀	1	G1/4XR1/4
3-11	120835	Ball Cock	球阀	1	G3/8XR3/8
3-12	120852	Air Chamber	空气室	1	630ML
3-13	121442	Label	标签	1	
3-14	120836	Pressure Regulator Valve Ass'y	压力调节阀组件	1	Incl.15-50
3-15	121005	Cap	压力调节阀冒	1	
3-16	084015	Nut	螺母	1	M10
3-17	089875	Set Screw	定位螺丝	1	M10X48
3-18	121006	Grip	调节旋钮	1	
3-19	126196	Pressure Regulator Valve Seat	压力调节阀阀座	1	17X2.3
3-20	105520	Spring	弹簧	1	3.2-35L
3-21	105521	Seat	阀座	1	
3-22	105522	Spring Case	弹簧盒	1	
3-23	108474	Seat Spring	底座弹簧	1	
3-24	105524	Pressure Gauge	调压指示针	1	
3-25	092100	Screw	螺钉	2	M4X6
3-26	089899	Screw	螺钉	1	M4X13
3-27	105527	Packing	密封圈	1	
3-28	012255	Pressure Regulator Valve Bellows Washer	压力调节阀波纹管阀座垫圈	1	6.2X22X0.6
3-29	016972	Pressure Regulator Valve Bellows Packing	压力调节阀波纹管密封圈	1	5X22X1.5
3-30	011451	Pressure Regulator Valve Bellows	压力调节阀波纹管	1	
3-31	016975	Pressure Regulator Valve Rod	压力调节阀阀杆	1	
3-32	012256	Pressure Regulator Valve Sack	压力调节阀底盒	1	
3-33	107238	Valve Ball	阀门球	1	12.7
3-34	020971	Valve Seat	阀门座	2	10X20X6.5
3-35	014179	O-Ring	O型圈	2	P20
3-36	121014	Pressure Regulator Valve Body	压力调节阀，阀体部分	1	Incl.37-48
3-37	108355	Label	标签	1	
3-38	121689	Ball Retainer	滚珠护圈	1	
3-39	013971	O-Ring	O型圈	1	S20
3-40	121690	Valve Seat	阀门座（上）	1	
3-41	121691	Valve Seat	阀门座（下）	1	
3-42	013967	O-Ring	O型圈	1	S14
3-43	120840	Ball Valve	球阀滚珠	1	
3-44	120841	Ball Rotater	球阀转子	1	
3-45	013918	O-Ring	O型圈	1	S5
3-46	121007	Handle	把柄	1	
3-47	100166	Cap Nut	盖形螺母	1	M5
3-48	029754	Spring Washer	弹簧垫片	1	M5
3-49	120843	Bolt	螺栓	2	M6X55X20(SMK)
3-50	092542	Bolt	螺栓	2	M6X20(SMK)

4. CSH100
药箱, 接管



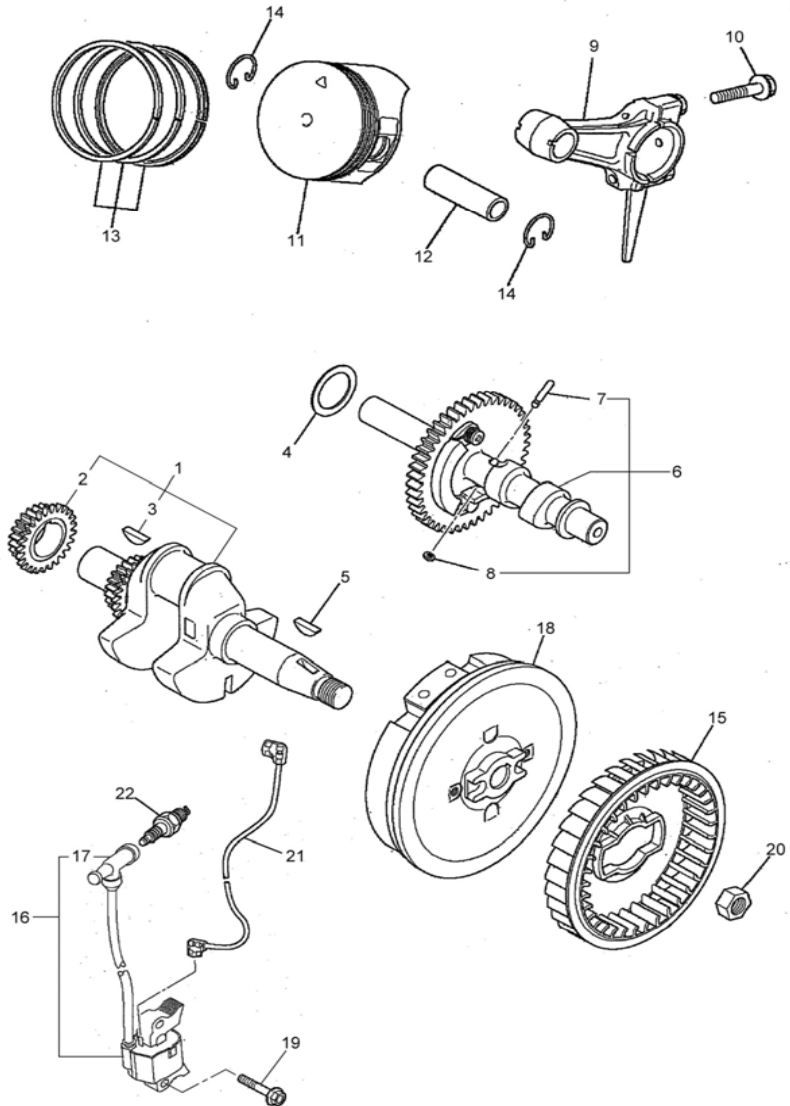
Ref.No.	Parts No.	Parts Name	Parts Name (Chinese)	Q'ty	Remarks
4-1	830167	Chemical Tank	药箱	1	
4-2	629953	Elbow	L型弯管	1	
4-3	830170	Suction Hose Ass'y	吸水管组件	1	Incl.4-7
4-4	830174	Hose	软管	1	19X18X880
4-5	098010	Hose Coupling	软管连接接头	1	G3/4
4-6	103686	Packing	密封圈	1	18.5X24XT2
4-7	105937	Hose Coupling	软管连接接头	1	G1
4-8	830171	Discharge Hose Ass'y	回水软管组件	1	Incl.9-11
4-9	830175	Hose	软管	1	13X19X1050L
4-10	098009	Hose Coupling	软管连接接头	1	G1/2
4-11	103685	Packing	密封圈	1	12X18.5XT1.5
4-12	103580	Band	绷带	1	
4-13	541127	Swivel Joint	回转接头	1	
4-14	830718	Hose	软管	1	Incl.15,16
4-15	548815	Packing	密封圈	1	11.5X16XT1.5
4-16	548814	Packing	密封圈	1	7X11.5X1.5T
4-17	830717	Hose	软管	1	8.5X50M
4-18	814042	Swivel Joint	回转接头	1	G1/4
4-19	105891	Ball Cock	球阀 (喷头连接处)	1	G1/4XG1/4
4-20	103580	Band	绷带	1	
4-21	830190	Gun Nozzle Ass'y	喷枪组件	1	
4-22	124962	Lavel	标签	1	

5. CSH100 引擎 (GB130LN-151)
气缸, 气缸盖



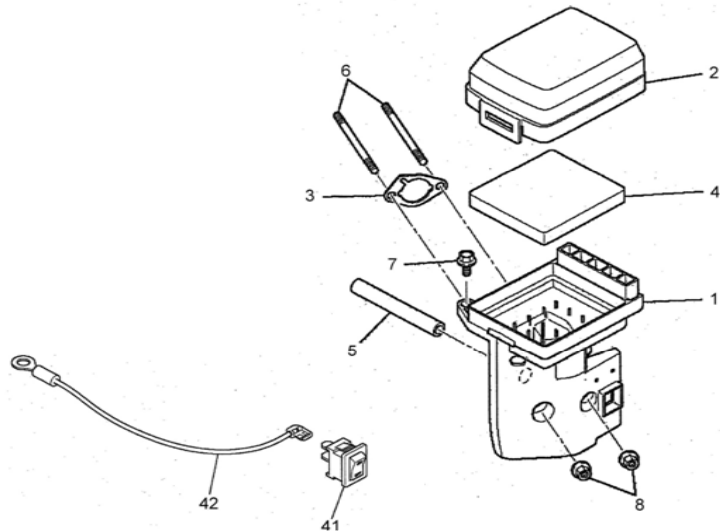
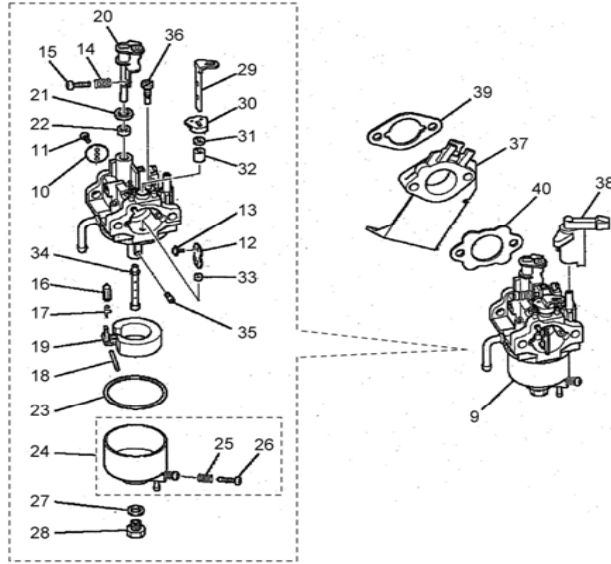
Ref.No.	Parts No.	Parts Name	Parts Name (Chinese)	Q'ty	Remarks
5-1	830169	Engine	引擎	1	GB130LN-151
5-2	403192	Cylinder Block	汽缸体	1	KB43012AA
5-3	947359	Plug, Drain	塞头	2	FN11223
5-4	999585	Bearing	轴承	1	FN15746
5-5	997403	Oil Seal	油封	1	FR41845
5-6	572820	Gasket	垫圈	2	ZZ70013A
5-7	403193	Cylinder Head Ass'y	汽缸盖组件	1	KC02060AA
5-8	403053	Tappet	阀挺杆	2	KV24009AA
5-9	403194	Valve, Intake	活门 (吸入口)	1	KV33005AA
5-10	403195	Valve, Exhaust	活门 (排出口)	1	KV42002AA
5-11	403056	Spring, Valve	活门弹簧	2	KV55010BA
5-12	633028	Retainer, Valve Spring	活门弹簧保持架	2	KV64002AA
5-13	403196	Rod, Push	推杆	2	KV71013AA
5-14	403197	Rocker Arm Ass'y	摇杆组件	1	Incl.15-21 KV02005AA
5-15	403198	Plate	底板	1	KV74009AA
5-16	403060	Arm, Rocker	摇杆臂	1	KV72012AA
5-17	403061	Arm, Rocker	摇杆臂	1	KV72013AA
5-18	628611	Nut	螺母	2	KU23013AA
5-19	628612	Adjust Screw	校正螺丝	2	KV73004AA
5-20	638638	Shaft	轴柱	2	KV75009BA
5-21	575347	Clip, Piston Pin	C型环, 活塞销	2	FR34111
5-22	405604	Seal, Valve Stem	密封, 阀杆	1	KW21023AA
5-23	578193	Flange Bolt	凸缘螺栓	4	B800A06X016
5-24	578087	Flange Bolt	凸缘螺栓	4	B800B08X055
5-25	578078	Dowel Pin	定缝销钉	2	KU44001AA
5-26	633031	Gasket, Head	垫圈	1	KC66014AA
5-27	403199	Head Cover Ass'y	底盖组件	1	KC09015AA
5-28	578075	Flange Bolt	凸缘螺栓	3	B805B06X012
5-29	403200	Gasket, Head Cover	底盖垫圈	1	KW33016AA
5-30	999585	Bearing	轴承	2	FN15746
5-31	403201	Cover, Crankcase	曲轴箱盖	1	KB63006AA
5-32	403066	Governor Gear Ass'y	调速器齿轮组件	1	Incl.33 KG01007AA
5-33	403067	Slider, Governor	滑触头 (调速器)	1	KG14006AA
5-34	579440	Governor Shaft	调速器轴	1	KG22004AA
5-35	628625	Oil Gauge	油量表	2	Incl.36 KL21006EA
5-36	627921	O-Ring	O型圈	2	KW23003AA
5-37	629757	Oil Seal	油封	1	KW23002AA
5-38	999633	Flange Bolt	凸缘螺栓	6	B800B08X030
5-39	578078	Dowel Pin	定缝销钉	2	KU44001AA
5-40	947565	Washer	垫圈	1	W200H06
5-41	631695	Stud Bolt	双端螺柱	2	B155B08X020

6. CSH100 引擎 (GB130LN-151)
曲轴, 活塞



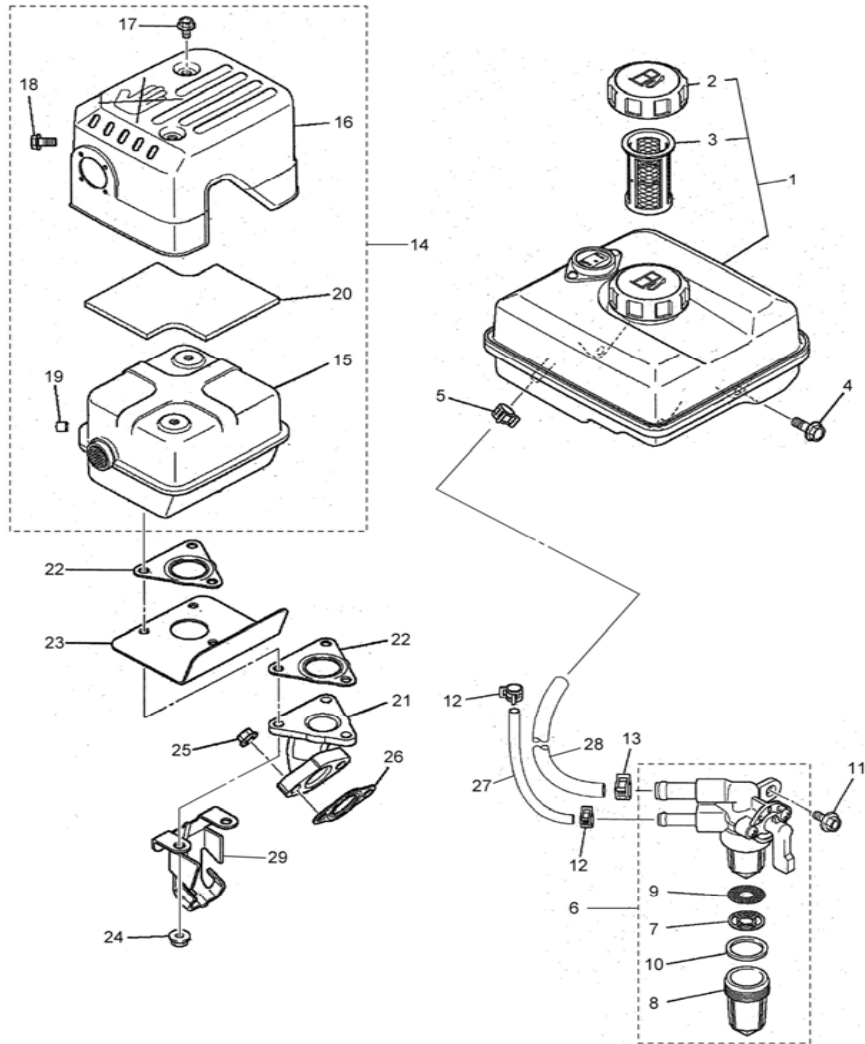
Ref.No.	Parts No.	Parts Name	Parts Name (Chinese)	Q'ty	Remarks
6-1	403202	Crankshaft Ass'y	曲轴组件	1	Incl.2,3 KD02066AB
6-2	403203	Gear, Crankshaft	传动齿轮	1	KD06005AB
6-3	403071	Key, Woodruff	半月键	1	KD90016AA
6-4	403204	Shim	薄片	1	KU39008BC
6-5	403071	Key, Woodruff	半月键	1	KD90016AA
6-6	403205	Camshaft Ass'y	凸轮轴	1	Incl.7,8 KV01209AB
6-7	403206	Pin	锁钉	1	KV83009GF
6-8	624792	Snap Ring	卡环	1	S500P03
6-9	629639	Connecting Rod Ass'y	连杆组件 (活塞)	1	STD Incl.9 KD03015AA
6-9	629640	Connecting Rod Ass'y	连杆组件 (活塞)	1	US0.25 Incl.9 KD03015BA
6-9	629641	Connecting Rod Ass'y	连杆组件 (活塞)	1	US0.50 Incl.9 KD03015CA
6-10	578117	Flange Bolt	凸缘螺栓	2	B800B06X030
6-11	403207	Piston	活塞	1	STD KP16006AA
6-11	403208	Piston	活塞	1	OS0.25 KP16006BA
6-11	403209	Piston	活塞	1	OS0.50 KP16006CA
6-12	629645	Piston Pin	活塞销	1	KP55003BA
6-13	578107	Piston Ring Set	活塞环组件	1	STD KP02008AA
6-13	578108	Piston Ring Set	活塞环组件	1	OS0.25 KP02008BA
6-13	578109	Piston Ring Set	活塞环组件	1	OS0.50 KP02008CA
6-14	628640	Piston Pin Clip	活塞销C型卡环	2	KP90002AA
6-15	403210	Fan	风扇	1	KE90245AA
6-16	403141	Coil, Ignition	引擎点火装置	1	Incl.17 KE24022AA
6-17	403076	Cap, Plug	火花塞帽	1	KE42037AA
6-18	403211	Flywheel	调速轮	1	KE12033AA
6-19	629695	Flange Bolt	凸缘螺栓	2	B805B06X025
6-20	993994	Nut	螺母	1	FR41231
6-21	411251	Wire, Lead	导线	1	KE90177BA
6-22	990045	Spark Plug	火花塞	1	BP6HS FA21273

7. CSH100 引擎 (GB130LN-151)
汽化器, 空气滤芯器



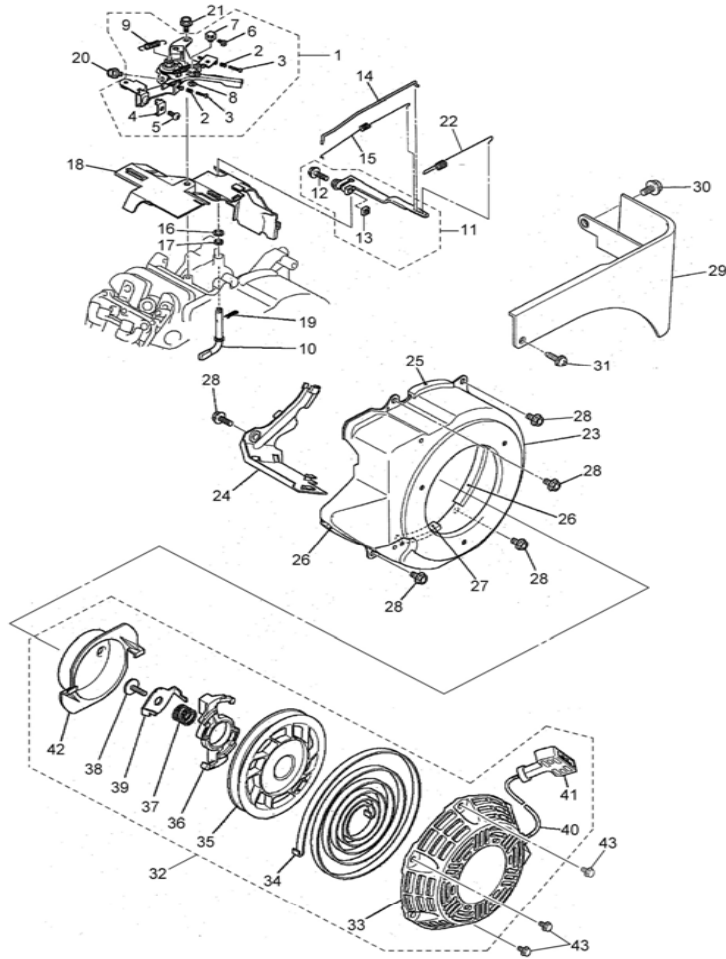
Ref.No.	Parts No.	Parts Name	Parts Name (Chinese)	Q'ty	Remarks
7-1	403212	Case, Cleaner	空气滤芯器底座	1	KA01091AA001
7-2	403079	Cover, Cleaner	空气滤芯器外壳	1	KA01092AA002
7-3	403080	Packing	密封垫片	1	KA01091AA003
7-4	403081	Element, Cleaner	滤芯	1	KA01091AA004
7-5	999579	Tube, Breather	通气管	1	ZZ70002R
7-6	403082	Bolt, Stud	双头螺栓	2	B155B06X080
7-7	999597	Bolt, Flange	凸缘螺栓	1	B800A06X020
7-8	260196	Nut	螺母	2	N801A06
7-9	405862	Carburetor Ass'y	汽化器组件	1	Incl.10-36 KK12047AA
7-10	403214	Valve, Throttle	控油阀门瓣膜	1	KK12047AA002
7-11	624796	Screw	螺钉	2	KK15016AA003
7-12	403084	Valve, Choke	阀门塞片	1	KK12046AA004
7-13	624797	Screw	螺钉	2	KK15016AA005
7-14	403085	Spring	弹簧	1	KK12046AA009
7-15	403086	Screw	螺钉	1	KK12046AA010
7-16	403087	Valve, Needle	阀门针	1	KK11011FF100
7-17	578167	Clip	弹夹	1	KK12008AE011
7-18	578207	Pin	插针	1	KK12008AE012
7-19	578154	Float	浮标	1	KK12008AE013
7-20	403215	Shaft, Throttle	节流器调节转轴	1	KK12047AA015
7-21	578158	Packing	密封圈	1	KK12008AE015
7-22	578147	Seal	密封圈	1	KK12008AE016
7-23	403089	Gasket	衬垫	1	KK14001AA018
7-24	578168	Chamber, Float	浮标室	1	Incl.25,26 KK12008AE023
7-25	403216	Spring	弹簧	1	KK13003AA008
7-26	578157	Screw	螺钉	1	KK12008AE029
7-27	578169	Packing	密封圈	1	KK12008AE026
7-28	578170	Bolt	螺栓	1	KK12008AE027
7-29	403090	Lever, Choke	住塞门杠杆	1	KK12046AA022
7-30	578148	Ring	套环	1	KK12008AE018
7-31	578149	Seal	密封	1	KK12008AE019
7-32	578150	Ring	封合	1	KK12008AE020
7-33	578152	Ring	封合	1	KK12008AE021
7-34	403217	Nozzle, Main	主管道喷嘴	1	KK12047AA027
7-35	403218	Jet, Main	主管道喷口	1	KK12047AA028
7-36	645451	Jet, Pilot	喷口引导	1	KK74508AA363
7-37	403094	Insulator	个人绝缘件	1	KK32006AA
7-38	403095	Lever, Choke	阻气门联杆	1	KK90058AA
7-39	578141	Carburetor Gasket	汽化器衬垫	1	KW34029AA
7-40	403096	Gasket, Carburetor	汽化器衬垫	1	KW34077AA
7-41	631712	Switch, Stop	停止开关	1	KE80021AA
7-42	631713	Wire, Lead	导线	1	KE90190AA

8. CSH100 引擎 (GB130LN-151)
燃油箱



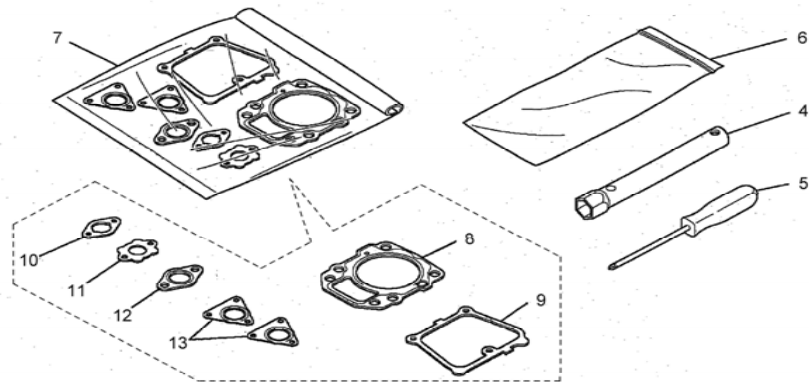
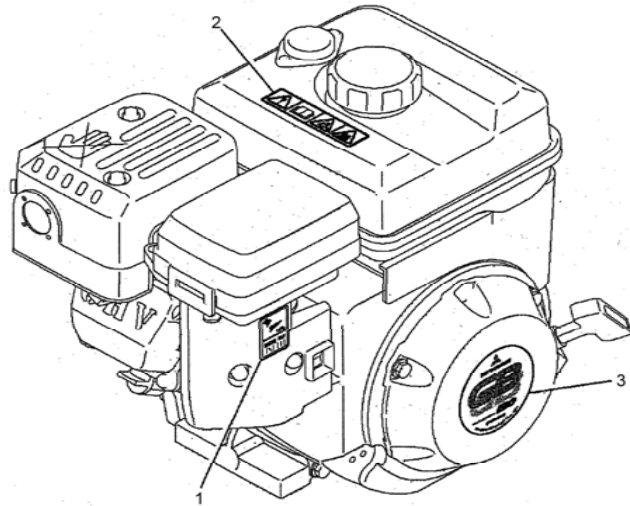
Ref.No.	Parts No.	Parts Name	Parts Name (Chinese)	Q'ty	Remarks
8-1	405863	Fuel Tank Ass'y	燃油箱组件	1	KF04125BD
8-2	639286	Tank Cap Ass'y	燃油箱该组件	1	KF05021AA
8-3	403110	Filter, Fuel	燃油箱过滤网	1	KF40003EA
8-4	578191	Flange Bolt	凸缘螺栓	3	B805B06X020
8-5	580498	Clip	输油管夹	1	FR67419
8-6	403111	Cock, Fuel	燃油排油开关	1	KF31037AA
8-7	649946	Packing	密封圈	1	KF31035AA012
8-8	649943	Cup	油泵帽	1	KF31036AA106
8-9	649945	Filter, Fuel	燃油过滤网	1	KF31035AA003
8-10	649944	Packing	密封圈	1	KF31035AA102
8-11	993952	Flange Bolt	凸缘螺栓	1	B800A06X012
8-12	977437	Fuel Pipe Clip	燃油软管夹	2	FR53226
8-13	580498	Clip	管夹	1	FR67419
8-14	411250	Muffler Ass'y	消音器组件	1	KM02146AA
8-15	403120	Muffler	消音器	1	KM15100AA
8-16	403121	Cover, Muffler	消音器外壳	1	KM25079AA
8-17	629092	Flange Bolt	凸缘螺栓	2	B800A06X008K
8-18	631671	Bolt, Flange	凸缘螺栓	1	B800A06X016K
8-19	403122	Bush	套筒	1	KU50007JA
8-20	403123	Glass Wool	玻璃棉	1	KM90188AA
8-21	403124	Pipe, Exhaust	排气弯管	1	KM30027AA
8-22	403125	Gasket, Muffler	消音器衬垫	2	KM70064AA
8-23	403126	Plate	支撑板	1	KM90190AA
8-24	260196	Nut	螺母	3	N801A06
8-25	990136	Nut	螺母	2	ZZ70028C
8-26	629706	Muffler Gasket	消音器衬垫	1	KM70040AA
8-27	403235	Hose, Fuel	输油管	1	P051Y04X160
8-28	629752	Hose, Fuel	输油管	1	P051Y08X370
8-29	403130	Cover	防护支板	1	KM90182AA

9. CSH100 引擎 (GB130LN-151)
反冲式启动器



Ref.No.	Parts No.	Parts Name	Parts Name (Chinese)	Q'ty	Remarks
9-1	403097	Control Panel Ass'y	节流阀控制器逐渐	1	Incl.2-9 KG03045BA
9-2	629681	Spring	弹簧	2	KU80023AA
9-3	403098	Screw	螺钉	2	L=30 KU14038BA
9-4	631666	Clamp	夹具	1	KU60016AA
9-5	971813	Screw	螺钉	1	H051D05X012
9-6	571120	Bolt	螺栓	1	B751A04X008
9-7	411183	Stopper	塞子	1	KR30013BA
9-8	571121	Snap Ring	制动环	1	S500P04
9-9	644795	Spring, Return	复位弹簧	1	KG35010BA
9-10	403099	Shaft, Governor	主控制轴	1	KG22020AA
9-11	403100	Lever, Governor	主控制杠杆	1	Incl.12,13 KG31027AA
9-12	999500	Bolt, Flange	凸缘螺栓	1	B800B06X020
9-13	403101	Nut	螺母	1	KU23019AA
9-14	403219	Rod, Governor	主控制连杆	1	KG41029AA
9-15	403220	Spring, Rod	连杆弹簧	1	KG42034AA
9-16	590188	Washer	垫片	1	KG90015AA
9-17	590187	Seal, Dust	防尘垫片	1	KG90016AA
9-18	403221	Cover, Top	挡板外壳	1	KH40101AA
9-19	578138	Clip	夹具	1	KU70006AA
9-20	578075	Flange Bolt	凸缘螺栓	1	B805B06X012
9-21	585290	Bolt, Flange	凸缘螺栓	1	B805B06X016
9-22	403233	Spring, Governor	主控制弹簧	1	KG34049AB
9-23	403222	Cover, Fan	散热外壳	1	KH25015CA
9-24	403223	Cover, Cylinder	气缸外壳	1	KH40102AA
9-25	403108	Rubber Cushion	橡胶缓冲器	1	KH90075DA
9-26	403107	Rubber Cushion	橡胶缓冲器	2	KH90075BA
9-27	403224	Rubber Cushion	橡胶缓冲器	1	KH90075CA
9-28	578075	Flange Bolt	凸缘螺栓	5	B805B06X012
9-29	403232	Cover, Front	外壳	1	KR40039AA
9-30	585290	Bolt, Flange	凸缘螺栓	1	B805B06X016
9-31	629097	Screw	螺钉	1	KU12025AA
9-32	403226	Recoil Starter Ass'y	启动装置组件	1	Incl.33-42 KS02106AD
9-33	403227	Case, Starter	启动装置外罩	1	KS20128AD001
9-34	642741	Spring, Spiral	螺旋弹簧	1	KS20080AD002
9-35	403228	Reel	启动绳卷盘	1	KS20128AD003
9-36	403229	Guide	棘爪	1	KS20128AD004
9-37	642744	Spring, Brake	弹簧	1	KS20080AD005
9-38	642745	Screw	螺钉	1	KS20080AD006
9-39	403230	Retainer	保持器	1	KS20128AD007
9-40	633041	Rope	启动绳	1	KS20080AD009
9-41	633042	Handle Pulley, Starter Flange Bolt	启动装置把手	1	KS20080AD010
9-42	403231	Pulley, Starter	启动滑轮	1	KS30059AA
9-43	629088	Flange Bolt	凸缘螺栓	3	B800A06X012K

10. CSH100 引擎 (GB130LN-151)
工具, 密封垫圈



Ref.No.	Parts No.	Parts Name	Parts Name (Chinese)	Q'ty	Remarks
10-1	411252	Label	标签	1	KW56257BA
10-2	411253	Label, Caution	警告标签	1	KW55086AA
10-3	403234	Label, Name	品牌标签	1	KW56259BA
10-4	403138	Spanner, Box	工具 (套筒扳手)	1	KN12007AA
10-5	411199	Driver, Screw	工具 (螺丝刀)	1	KN13002AA
10-6	403139	Bag, Tool	工具包	1	KN15001AA
10-7	403236	Gasket Set	衬垫套装	1	KW39102AA
10-8	633031	Gasket, Head	衬垫 (底盖)	1	KC66014AA
10-9	403200	Gasket, Head Cover	衬垫 (底盖)	1	KW33016AA
10-10	578141	Carburetor Gasket	衬垫 (汽化器)	1	KW34029AA
10-11	403096	Gasket, Carburetor	衬垫 (汽化器)	1	KW34077AA
10-12	629706	Muffler Gasket	衬垫 (消音器)	1	KM70040AA
10-13	403125	Gasket, Muffler	衬垫 (消音器)	2	KM70064AA

11. CSH100
标签, 附件

标签



Ref.No.	Parts No.	Parts Name	Parts Name (Chinese)	Q'ty	Remarks
11-1	122017	Sction Strainer Ass'y	过滤网组件	1	
11-2	107107	Band	绷带	1	
11-3	811343	Extension Ass'y	延长管接头组件	1	Incl.4
11-4	011205	Packing	密封圈	1	11.5X16.5X1.5
11-5	542003	Label	标签	1	40X90
11-6	830172	Instruction Manual	产品使用说明书	1	CSH313-100L (C)
11-7	124903	Mask	防护用具(口罩)	1	

附件

